

# QUADPOD ANCHOR POST FOR WOODEN CEILING FORMWORK



# QUADROPOD

## ANCHOR POST FOR WOODEN CEILING FORMWORK

### KEY FEATURES

The SQ10 anchor post is designed to be mounted to horizontal formwork boards (wooden) of wooden ceiling formworks. SQ10 meets the requirements of PN-EN 795:2012 type A for the simultaneous use by 2 persons. The unique design of the post also provides an energy absorbing function to protect the worker and to help avoid damage to the formwork structure.

The post can be used standalone (also anti-pendulum) or as a component in horizontal rope lifeline systems.

The attachment point for connectors is located at a height of 70 cm from the ground, which increases work comfort, both if used as standalone or within a safety system.

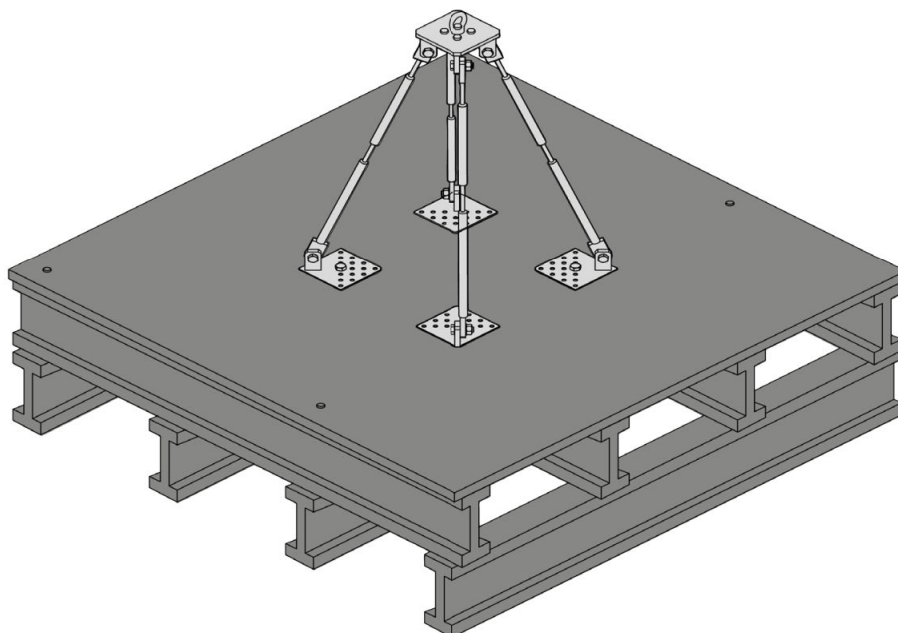


The anchor post is mounted on the horizontal plywood formwork board using 24 screws. The formwork board must be nailed to all the formwork beams.

Both the post and the base plate are made of corrosion protected and/or stainless material.

The set contains the following:

- an energy absorbing anchor post including an attachment point for connectors
- a set of screws



*Anchor post mounted to the ceiling formwork.*

## TECHNICAL FEATURES

|                                      |                    |                                   |               |                  |                                     |
|--------------------------------------|--------------------|-----------------------------------|---------------|------------------|-------------------------------------|
| <b>STANDARD:</b>                     | EN 795:2012 – A    | <b>BASEPLATE DIMENSIONS:</b>      | 44 cm x 44 cm | <b>MATERIAL:</b> | galvanised steel<br>stainless steel |
| <b>MAX. WEIGHT OF USERS ALLOWED:</b> | max. 100 kg/person | <b>MAX. NO. OF USERS ALLOWED:</b> | 2 people      | <b>WEIGHT:</b>   | 6,9 kg                              |

### INSTALLATION:

The person (user) carrying out the installation must be equipped with the appropriate personal fall protection equipment: a harness, a helmet and the proper energy absorbing/fall arrest lanyard attached to an anchor point of at least 12 kN strength.

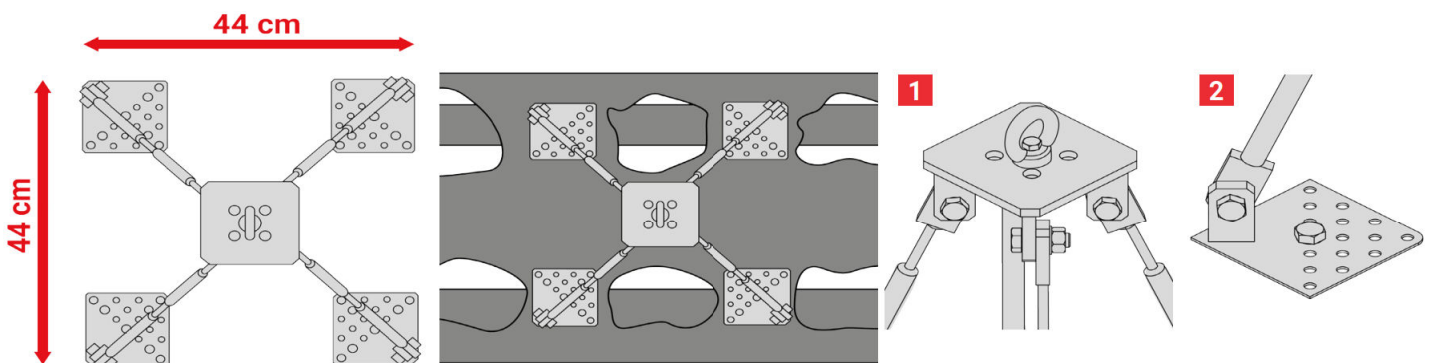
The post is designed to be mounted to a horizontal ceiling formwork panel made of plywood.

Two types of screws are used for the installation of each post.

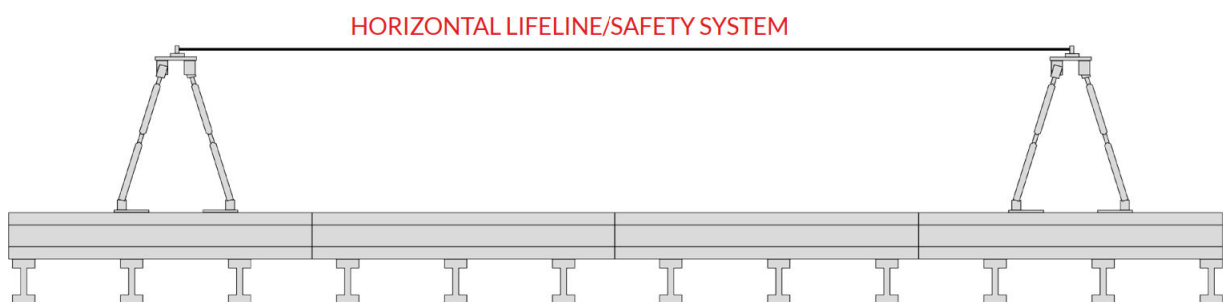
- 20 washer head screws WPO – 4,2 x 40

- 4 pan head wood screws 6x60 mm

- Attach the feet of the post in the designated spots as shown in the picture. Use four washer head screws and one pan head wood screw for each foot; the wood screw must pass through the girder located under the board.



Anchor posts can be used to set up temporary horizontal lifelines. Acceptable are all horizontal systems according to EN 795B.





**ROCK MASTER**

CBR Rock Master Sp. z o. o. Sp. k.  
Królewska 94/11, 30-079 Kraków,  
+48 12 290 30 35;  
office@rockmaster.eu  
NIP: PL 945 18 44 489

Research and Development Center  
Sportowa 20, 32-083 Balice,  
cbr@rockmaster.eu  
www.rockmaster.eu